

JStamp Development Station

1

SCH REV	PCB REV	DATE	BY	DESCRIPTION	SCH REV	PCB REV	DATE	BY	DESCRIPTION
0.0		01 Mar 22	wsk	Schematic capture.					
1.00	1.00	01 Mar 25	wsk	PCB REV 1 Done.					
1.01	1.00	01 Mar 17	wsk	Sheet 1: New name; Sheet 2: Added notes 1 & 2; Sheets 3 & 5: Modified paste jumper component definition;					
1.10		01 Apr 06	wsk	Sheet 4: Added JP29, JP30, JP31, & JP32;					

1

2

3

4

1

2

3

4

TABLE OF CONTENTS

SHEET	TITLE
1	REVISIONS
2	NOTES
3	MODULE INTERFACE
4	I/O
5	POWER SUPPLY

TO DO:

Systronix Inc Proprietary Information.
 This document contains financial, business, scientific, technical, economic or engineering information subject to USC § 1831-1839, Protection of Trade Secrets. Disclosure to others, use, or copying, without the express written authorization of Systronix Inc is strictly prohibited. Violation may result in criminal prosecution under 18 USC § 1831-1839 or 18 USC 1905.
 Copyright 1999, Systronix Inc.
 Unpublished Work. All rights reserved.

SYSTRONIX
 555 SOUTH 300 EAST
 SALT LAKE CITY, UT, USA 84111
 TEL: +1-801-534-1017 FAX: -1019
 WWW.SYSTRONIX.COM INFO@SYSTRONIX.COM

Title JStamp Socket Board REVISIONS

Size	Number	Rev
B		1.00

Date Fri Apr 06, 2001 Drawn by wsk
 Filename JStamp_Socket_110.sdr Sheet 1 of 6

A

B

C

D

NOTES

1 JSimm pin definition is compliant with the SimmStick (TM) specification.

! 2 SimmStick (TM) specification for pin 4 PWR, is 7.5 - 18Vdc.

2

1

1

2

2

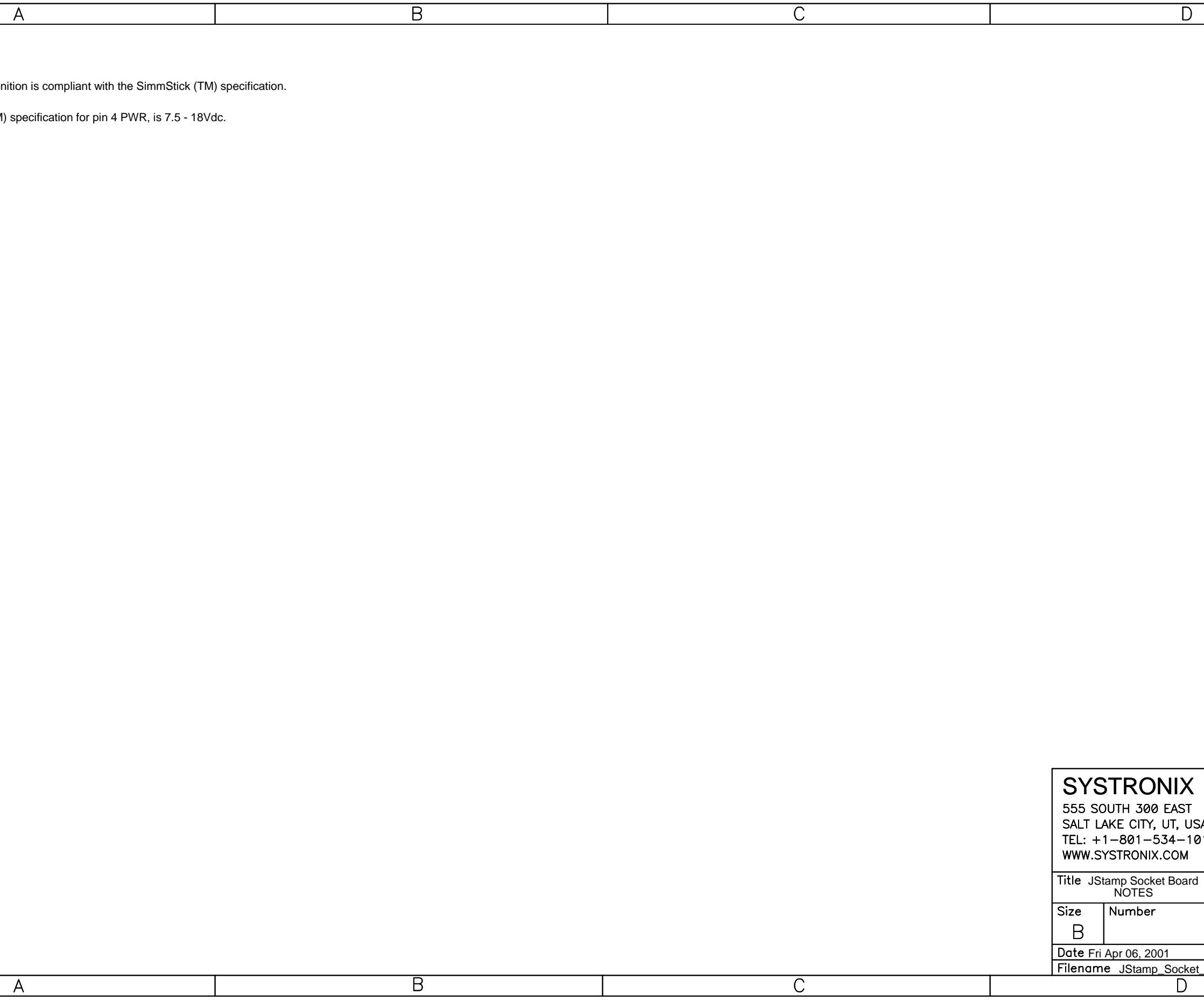
3

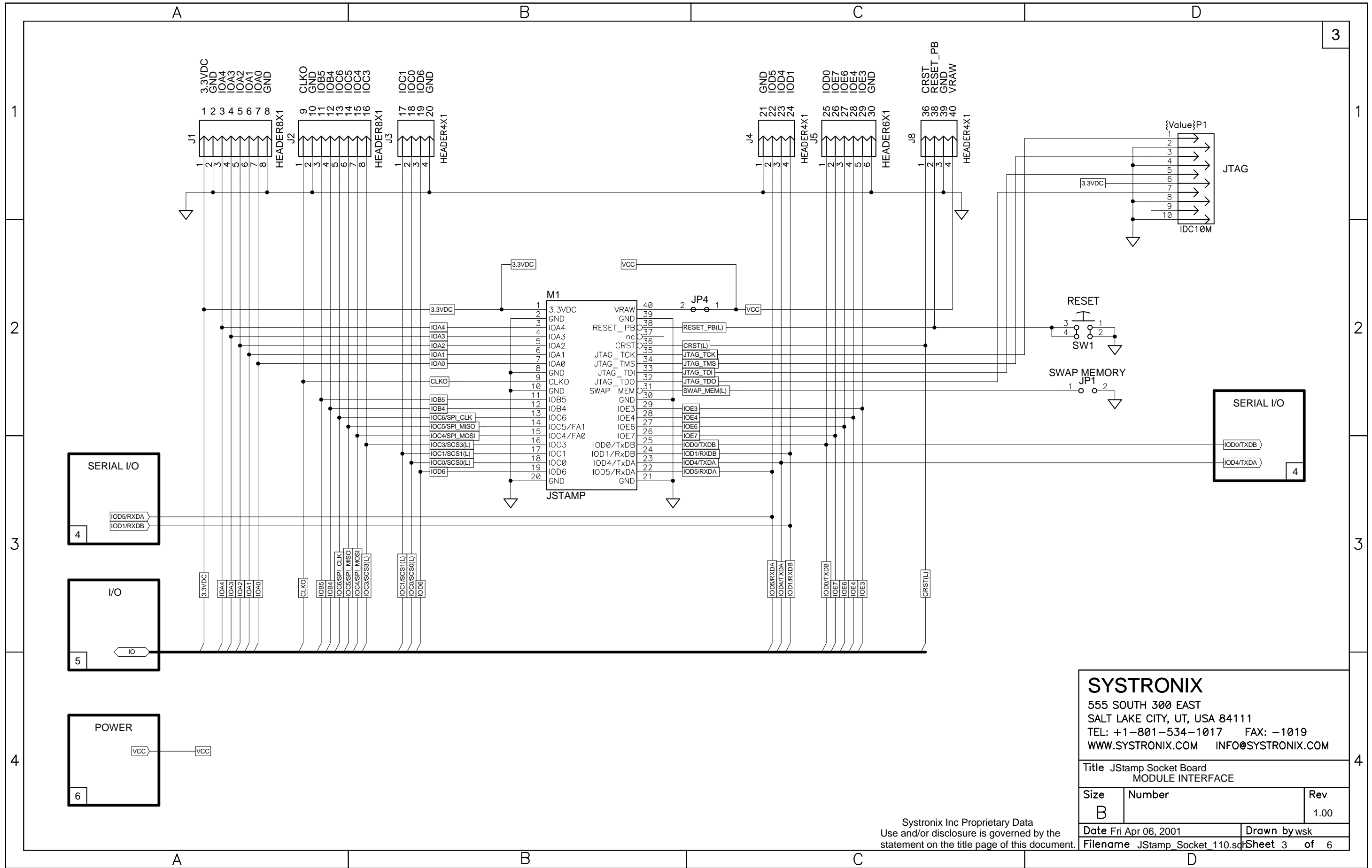
3

4

4

SYSTRONIX 555 SOUTH 300 EAST SALT LAKE CITY, UT, USA 84111 TEL: +1-801-534-1017 FAX: -1019 WWW.SYSTRONIX.COM INFO@SYSTRONIX.COM		
Title JStamp Socket Board NOTES		
Size B	Number	Rev 1.00
Date Fri Apr 06, 2001		Drawn by wsk
Filename JStamp_Socket_110.sdr		Sheet 2 of 6

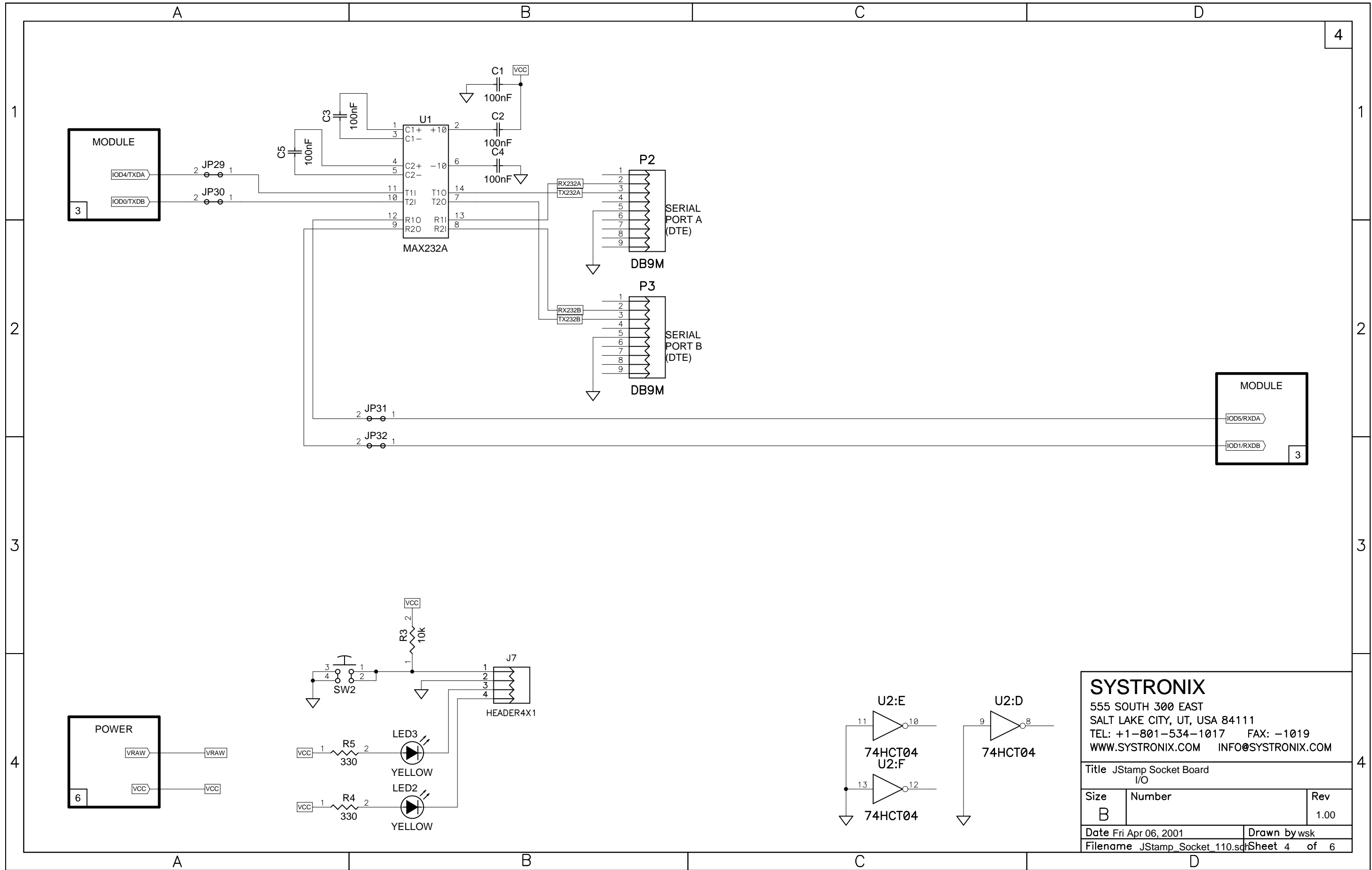




SYSTRONIX
 555 SOUTH 300 EAST
 SALT LAKE CITY, UT, USA 84111
 TEL: +1-801-534-1017 FAX: -1019
 WWW.SYSTRONIX.COM INFO@SYSTRONIX.COM

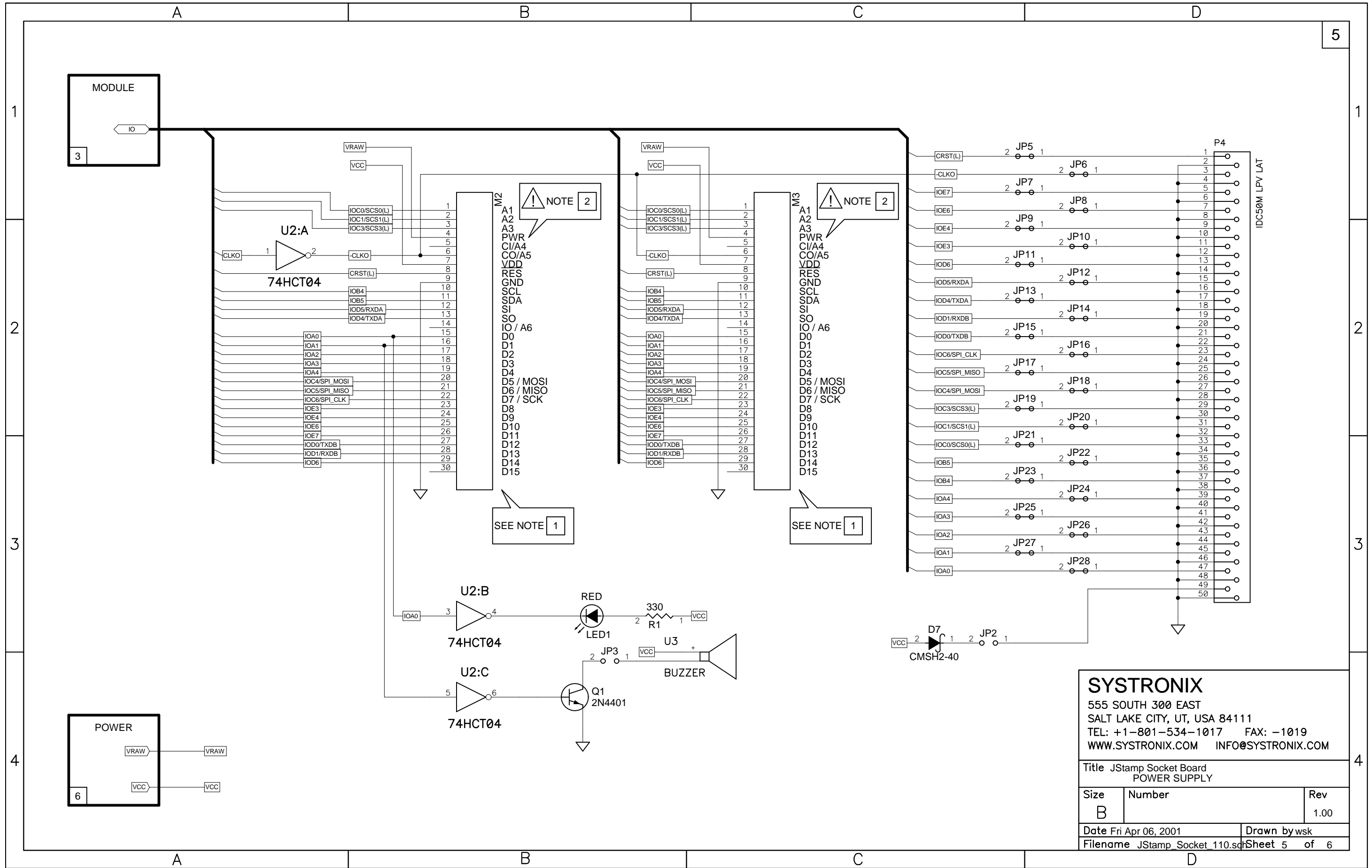
Title JStamp Socket Board MODULE INTERFACE		
Size B	Number	Rev 1.00
Date Fri Apr 06, 2001	Drawn by wsk	
Filename JStamp_Socket_110.sdr	Sheet 3 of 6	

Systronix Inc Proprietary Data
 Use and/or disclosure is governed by the
 statement on the title page of this document.



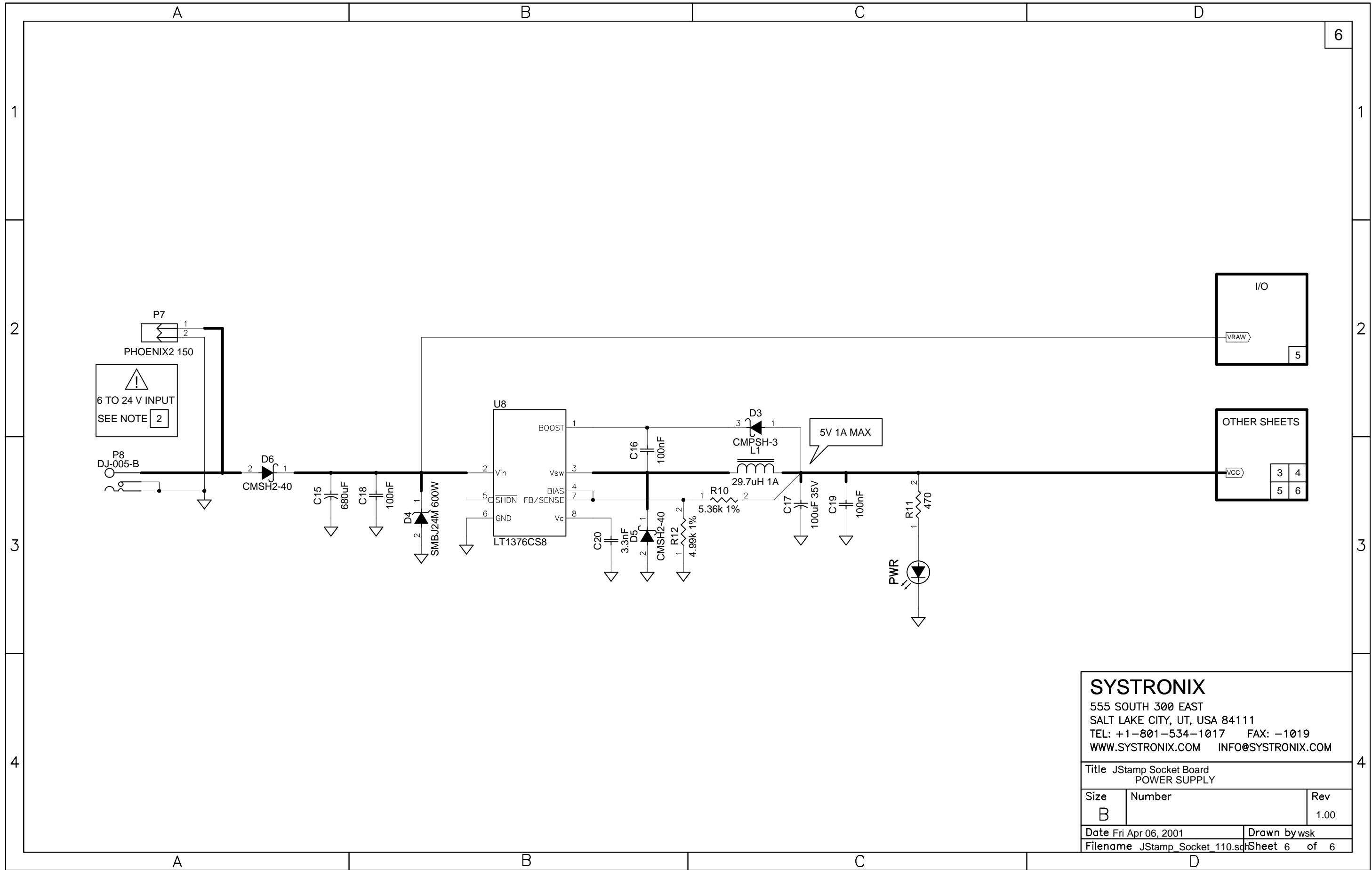
SYSTRONIX
 555 SOUTH 300 EAST
 SALT LAKE CITY, UT, USA 84111
 TEL: +1-801-534-1017 FAX: -1019
 WWW.SYSTRONIX.COM INFO@SYSTRONIX.COM

Title JStamp Socket Board I/O		
Size B	Number	Rev 1.00
Date Fri Apr 06, 2001	Drawn by wsk	
Filename JStamp_Socket_110.sch	Sheet 4 of 6	



SYSTRONIX
 555 SOUTH 300 EAST
 SALT LAKE CITY, UT, USA 84111
 TEL: +1-801-534-1017 FAX: -1019
 WWW.SYSTRONIX.COM INFO@SYSTRONIX.COM

Title JStamp Socket Board POWER SUPPLY		
Size B	Number	Rev 1.00
Date Fri Apr 06, 2001	Drawn by wsk	
Filename JStamp_Socket_110.sch	Sheet 5 of 6	



SYSTRONIX
 555 SOUTH 300 EAST
 SALT LAKE CITY, UT, USA 84111
 TEL: +1-801-534-1017 FAX: -1019
 WWW.SYSTRONIX.COM INFO@SYSTRONIX.COM

Title JStamp Socket Board
 POWER SUPPLY

Size	Number	Rev
B		1.00

Date Fri Apr 06, 2001 Drawn by wsk
 Filename JStamp_Socket_110.sch Sheet 6 of 6