

JStamp Socket Baord

1

SCH REV	PCB REV	DATE	BY	DESCRIPTION	PCB REV	DATE	BY
0.0		01 Mar 22	wsk	Schematic capture.			
0.0	1.00	01 Mar 25	wsk	PCB REV 1 Done.			

TABLE OF CONTENTS

SHEET	TITLE
1	REVISIONS
2	NOTES
3	MODULE INTERFACE
4	I/O
5	POWER SUPPLY

TO DO:

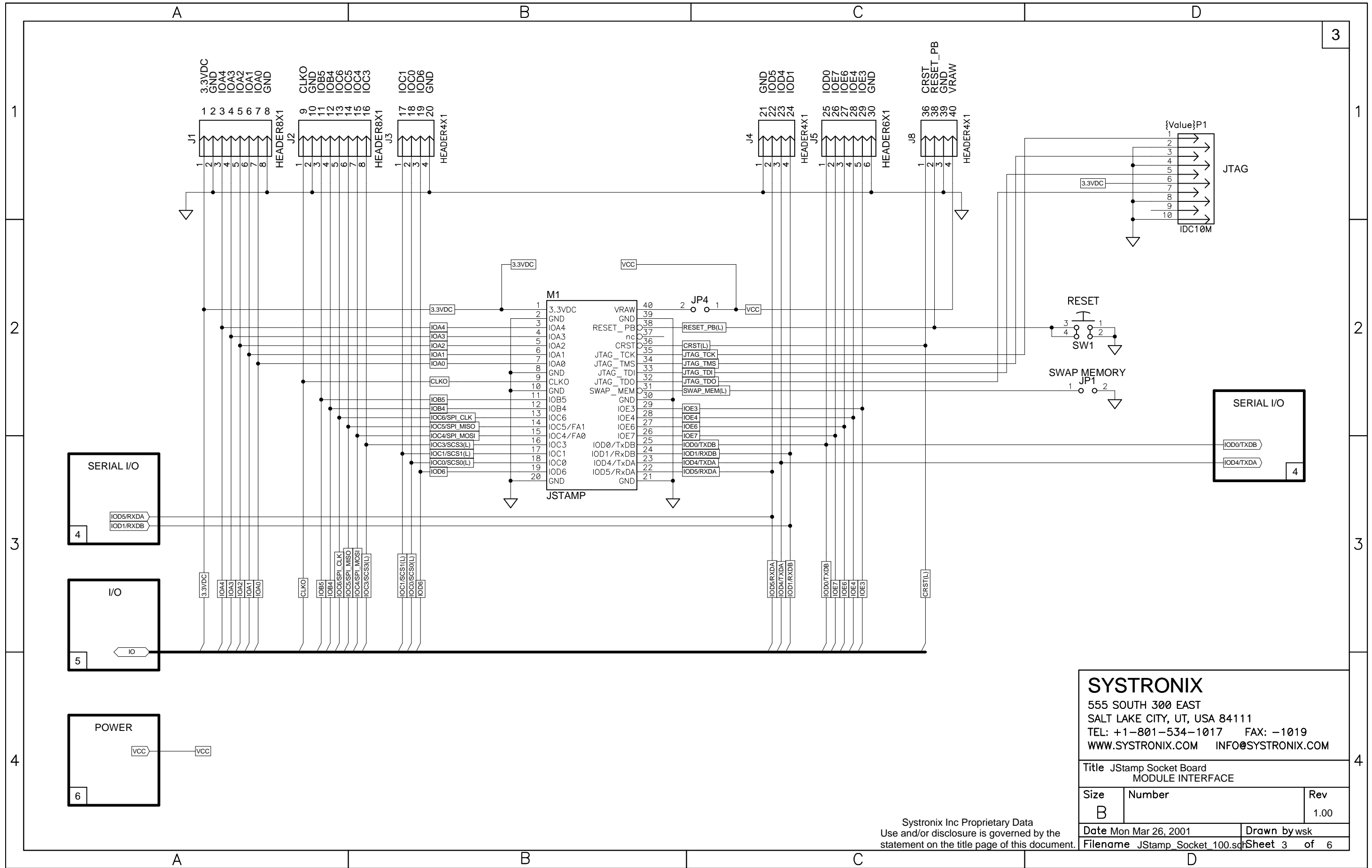
Systronix Inc Proprietary Information.  
 This document contains financial, business, scientific, technical, economic or engineering information subject to USC § 1831-1839, Protection of Trade Secrets. Disclosure to others, use, or copying, without the express written authorization of Systronix Inc is strictly prohibited. Violation may result in criminal prosecution under 18 USC § 1831-1839 or 18 USC 1905.  
 Copyright 1999, Systronix Inc.  
 Unpublished Work. All rights reserved.

**SYSTRONIX**  
 555 SOUTH 300 EAST  
 SALT LAKE CITY, UT, USA 84111  
 TEL: +1-801-534-1017 FAX: -1019  
 WWW.SYSTRONIX.COM INFO@SYSTRONIX.COM

Title JStamp Socket Board REVISIONS		
Size	Number	Rev
B		1.00
Date	Mon Mar 26, 2001	Drawn by wsk
Filename	JStamp_Socket_100.sdr	Sheet 1 of 6



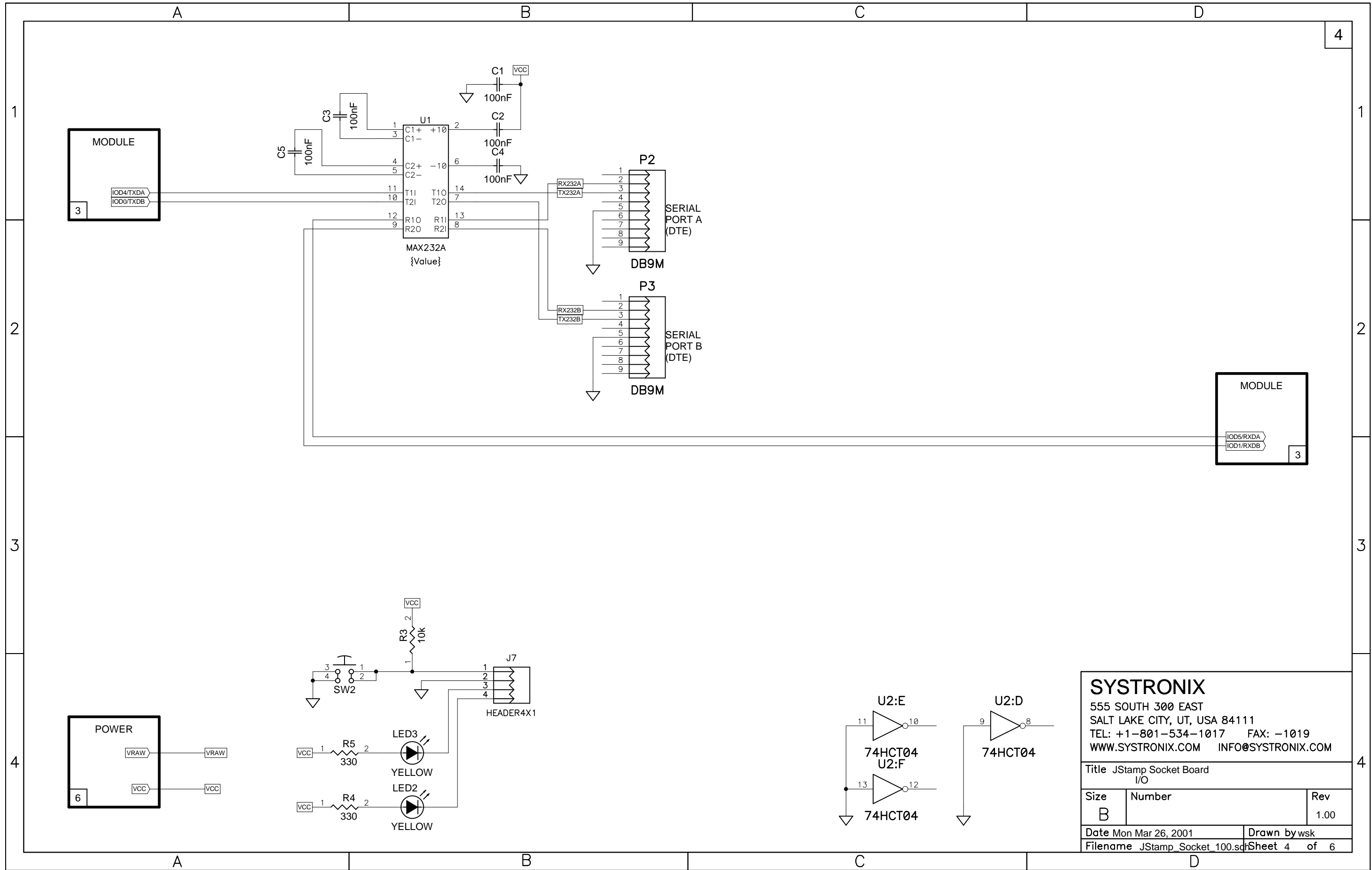
<b>SYSTRONIX</b>		
555 SOUTH 300 EAST SALT LAKE CITY, UT, USA 84111 TEL: +1-801-534-1017 FAX: -1019 WWW.SYSTRONIX.COM INFO@SYSTRONIX.COM		
Title JStamp Socket Board NOTES		
Size	Number	Rev
B		1.00
Date Mon Mar 26, 2001	Drawn by wsk	
Filename JStamp_Socket_100.sdr	Sheet 2 of 6	



**SYSTRONIX**  
 555 SOUTH 300 EAST  
 SALT LAKE CITY, UT, USA 84111  
 TEL: +1-801-534-1017 FAX: -1019  
 WWW.SYSTRONIX.COM INFO@SYSTRONIX.COM

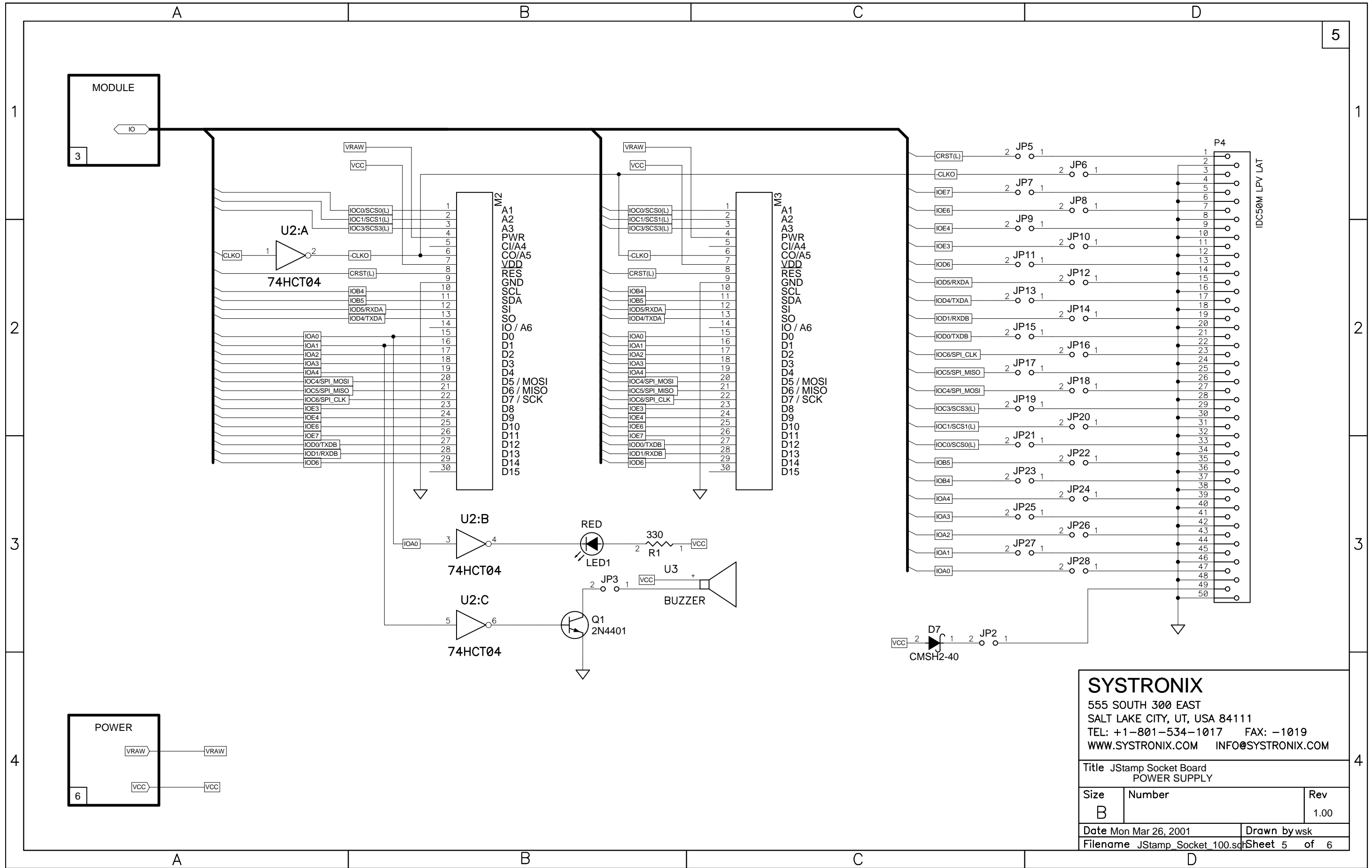
Title JStamp Socket Board MODULE INTERFACE		
Size B	Number	Rev 1.00
Date Mon Mar 26, 2001	Drawn by wsk	
Filename JStamp_Socket_100.sdr	Sheet 3 of 6	

Systronix Inc Proprietary Data  
 Use and/or disclosure is governed by the  
 statement on the title page of this document.



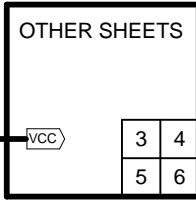
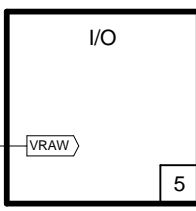
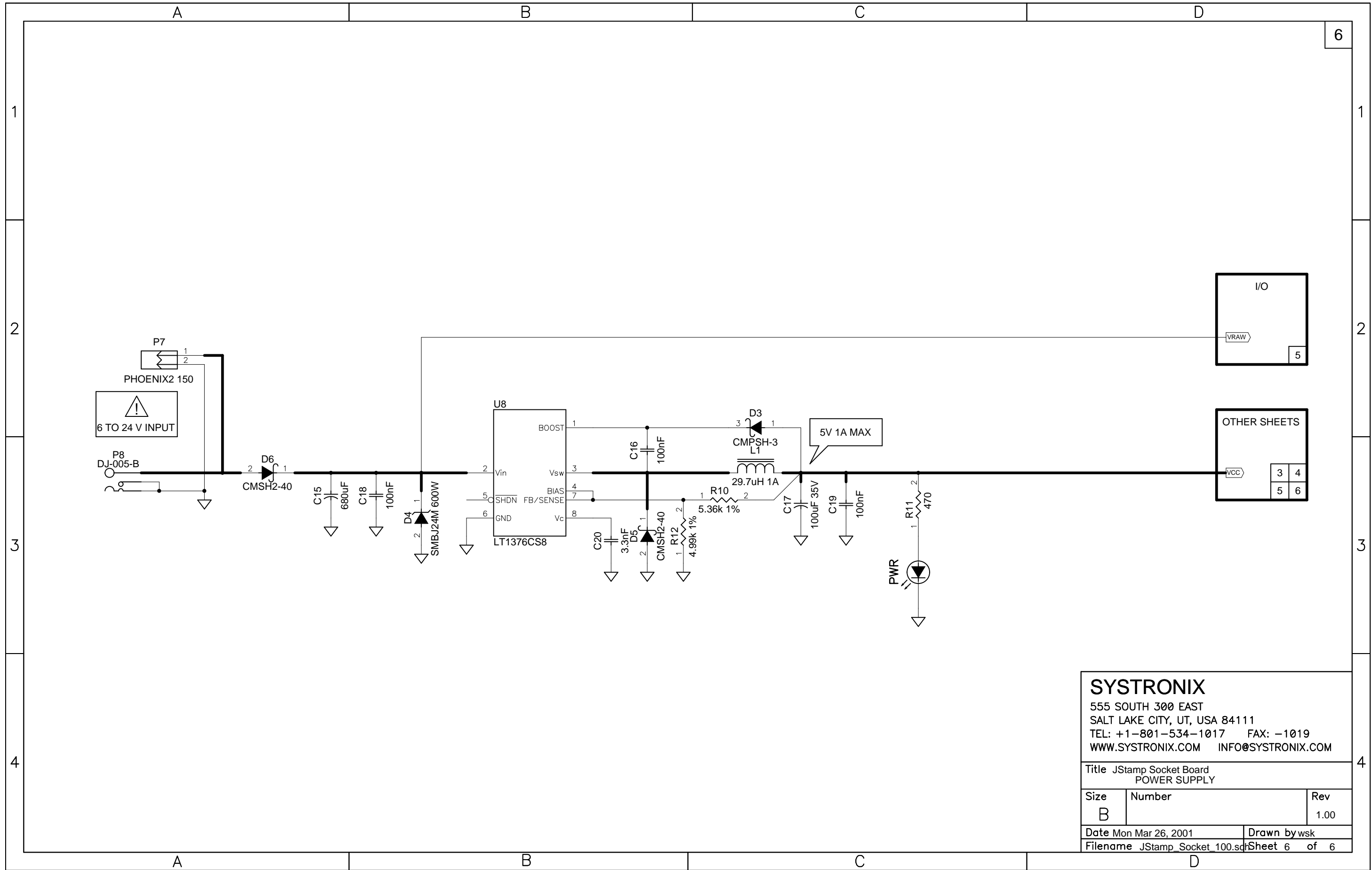
**SYSTRONIX**  
 555 SOUTH 300 EAST  
 SALT LAKE CITY, UT, USA 84111  
 TEL: +1-801-534-1017 FAX: -1019  
 WWW.SYSTRONIX.COM INFO@SYSTRONIX.COM

Title JStamp Socket Board I/O		
Size B	Number	Rev 1.00
Date Mon Mar 26, 2001	Drawn by wsk	
Filename JStamp_Socket_100.sch	Sheet 4 of 6	



**SYSTRONIX**  
 555 SOUTH 300 EAST  
 SALT LAKE CITY, UT, USA 84111  
 TEL: +1-801-534-1017 FAX: -1019  
 WWW.SYSTRONIX.COM INFO@SYSTRONIX.COM

Title JStamp Socket Board POWER SUPPLY		
Size B	Number	Rev 1.00
Date Mon Mar 26, 2001		Drawn by wsk
Filename JStamp_Socket_100.sch		Sheet 5 of 6



<b>SYSTRONIX</b>		
555 SOUTH 300 EAST SALT LAKE CITY, UT, USA 84111 TEL: +1-801-534-1017 FAX: -1019 WWW.SYSTRONIX.COM INFO@SYSTRONIX.COM		
Title JStamp Socket Board POWER SUPPLY		
Size B	Number	Rev 1.00
Date Mon Mar 26, 2001	Drawn by wsk	
Filename JStamp_Socket_100.sch	Sheet 6 of 6	

