

JSimm.JStamp

1

SCH REV	PCB REV	DATE	BY	DESCRIPTION	SCH REV	PCB REV	DATE	BY	DESCRIPTION
0.0		01 MAY 17	wsk	START					
1.00	1.00	01 MAY 24	wsk	PCB REV 1 DONE.					
1.01		01 MAY 31	wsk	Sheet 1: Added Note 3;					
1.10		01 JUN 05	wsk	Sheet 3: Changed P1 to 100 mil header; Sheet 4: Renamed nets RXDA, RXDB, TXDA, TXDB;					
2.00	2.00	01 OCT 09	wsk	Sheet 3: Deleted connections to sheet 5 (CAN I/O); Sheet 5: Deleted;					
2.01		01 NOV 14	wsk	Sheet 2: Deleted Note 1, Note 2, Note 3; Sheet 3: Changed signal name from IOE5 to IOE6, Added LED1, LED2, P5, R1, R3, U4; Connected M2-40 to VRAW; Sheet 4: Deleted 1-Wire support: C13, D1, D2, JP4, JP9, P5, R1, R6, R7, U2, U4, U7; Changed U3 to SP312A, RP2 to 100;					
3.00	3.00	03 JUN 20	wsk	Sheet 3: Inverted and labeled signal at U3 pin 25;					

TABLE OF CONTENTS

SHEET	TITLE
1	REVISIONS
2	NOTES
3	JSimm INTERFACE
4	SERIAL I/O

TO DO:

Systronix Inc Proprietary Information.  
May be used for noncommercial purposes if credit is given.  
Copyright 2001, Systronix Inc.  
All rights reserved.

**SYSTRONIX**  
555 SOUTH 300 EAST  
SALT LAKE CITY, UT, USA 84111  
TEL: +1-801-534-1017 FAX: -1019  
WWW.SYSTRONIX.COM INFO@SYSTRONIX.COM

Title	JSimm.JStamp REVISIONS	
Size	Number	Rev
B		3.00
Date	Mon Aug 04, 2003	Drawn by wsk
Filename	JSimm_JStamp_300.sc	Sheet 1 of 4

A

B

C

D

2

1

1

2

2

3

3

4

4

JP1	INSTALLED	Routes JStamp CLKO to JSimm Bus
JP2	INSTALLED OPEN	JStamp boots from SRAM JStamp boots from FLASH
JP3	1-2 2-3 BOTH OPEN	com2 IrDA at P2 com2 RS-232 serial at P4 com2 TTL at the JSimm connector
JP4	INSTALLED	Routes JStamp +3.3VDC to/from JSimm Bus
JP5	INSTALLED OPEN	com1 RS-232 serial at P3 com1 TTL at the JSimm connector

<b>SYSTRONIX</b>		
555 SOUTH 300 EAST SALT LAKE CITY, UT, USA 84111 TEL: +1-801-534-1017 FAX: -1019 WWW.SYSTRONIX.COM INFO@SYSTRONIX.COM		
Title JSimm.JStamp NOTES		
Size B	Number	Rev 3.00
Date Mon Aug 04, 2003		Drawn by wsk
Filename JSimm_JStamp_300.sc		Sheet 2 of 4

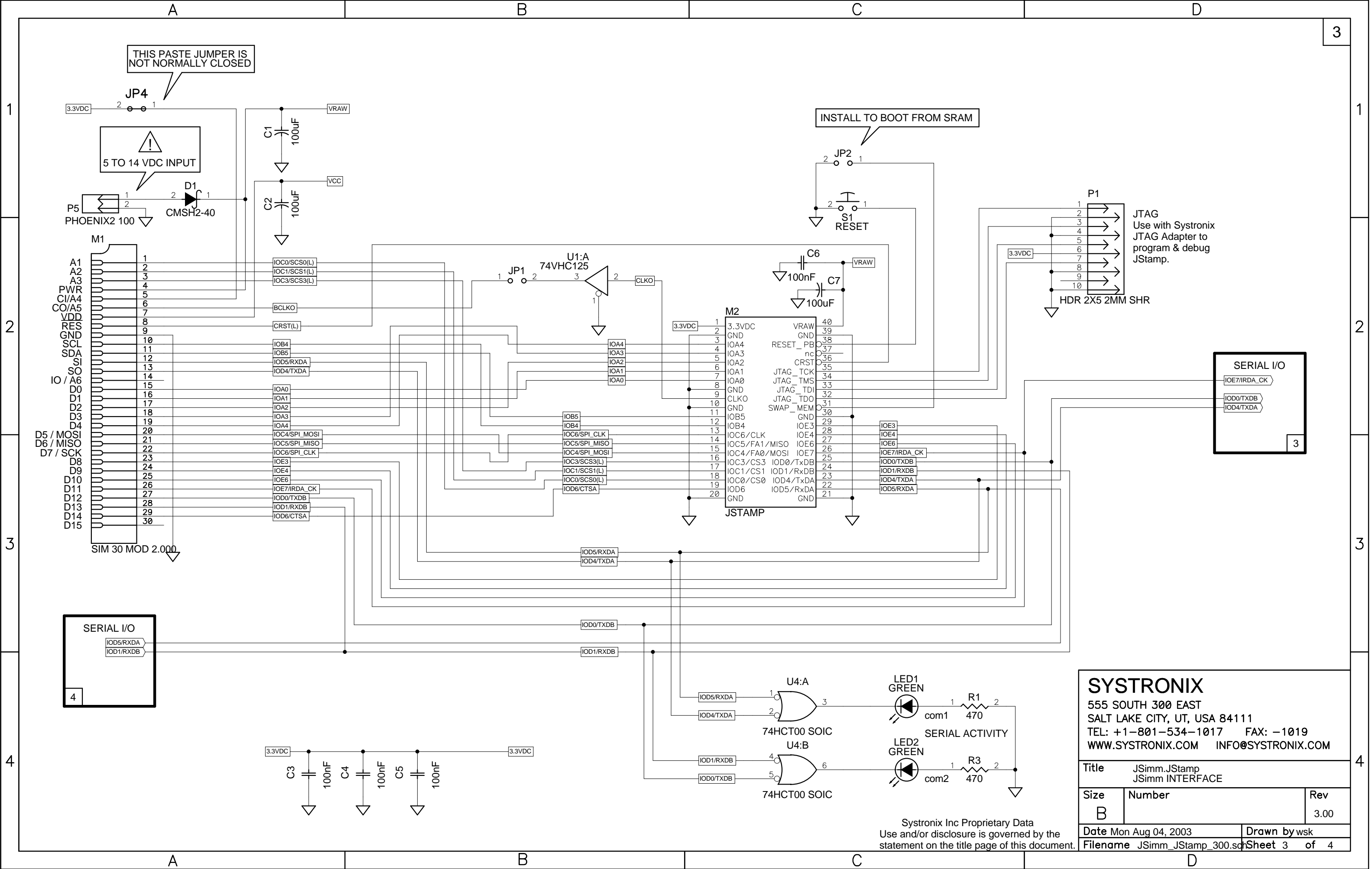
Systronix Inc Proprietary Data  
Use and/or disclosure is governed by the  
statement on the title page of this document.

A

B

C

D



THIS PASTE JUMPER IS NOT NORMALLY CLOSED

5 TO 14 VDC INPUT

INSTALL TO BOOT FROM SRAM

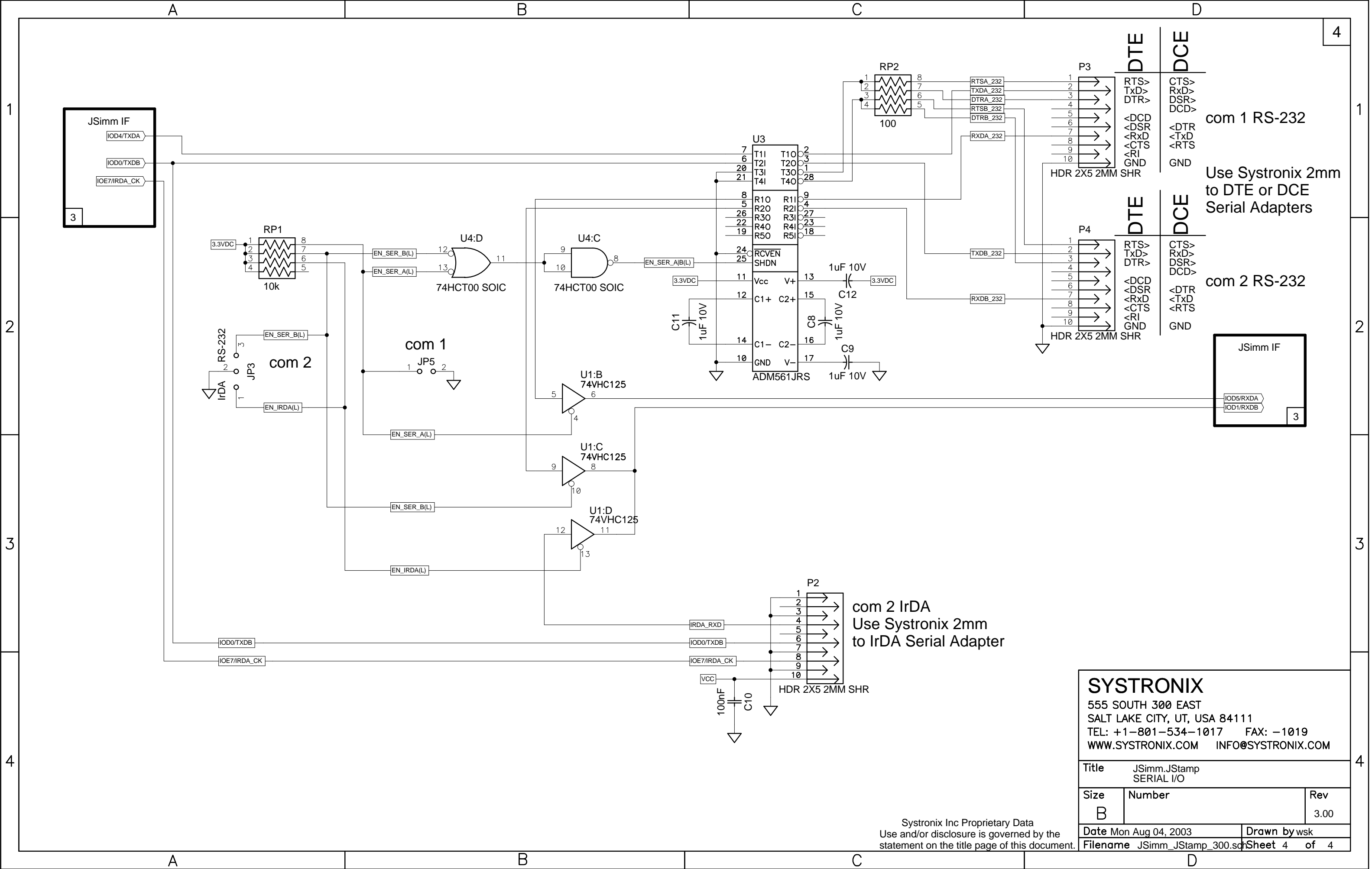
JTAG Use with Systronix JTAG Adapter to program & debug JStamp.

SERIAL I/O

**SYSTRONIX**  
 555 SOUTH 300 EAST  
 SALT LAKE CITY, UT, USA 84111  
 TEL: +1-801-534-1017 FAX: -1019  
 WWW.SYSTRONIX.COM INFO@SYSTRONIX.COM

Title		JSimm.JStamp JSimm INTERFACE	
Size	Number	Rev	
B		3.00	
Date		Mon Aug 04, 2003	Drawn by wsk
Filename		JSimm_JStamp_300.sch	Sheet 3 of 4

Systronix Inc Proprietary Data  
 Use and/or disclosure is governed by the  
 statement on the title page of this document.



com 1 RS-232

Use Systronix 2mm to DTE or DCE Serial Adapters

com 2 RS-232

com 2 IrDA  
Use Systronix 2mm to IrDA Serial Adapter

**SYSTRONIX**  
 555 SOUTH 300 EAST  
 SALT LAKE CITY, UT, USA 84111  
 TEL: +1-801-534-1017 FAX: -1019  
 WWW.SYSTRONIX.COM INFO@SYSTRONIX.COM

Title JSimm.JStamp SERIAL I/O		Rev 3.00
Size B	Number	
Date Mon Aug 04, 2003	Drawn by wsk	
Filename JSimm_JStamp_300.sch	Sheet 4 of 4	

Systronix Inc Proprietary Data  
 Use and/or disclosure is governed by the statement on the title page of this document.