

1-WIRE NET DEV KIT - DS2406 QUAD

1

SCH REV	PCB REV	DATE	BY	DESCRIPTION	SCH REV	DATE	BY	
0.1		00 AUG 21	BAB	First layout to see what fits	0.1	00 AUG 21	BAB	Schematic capture, based on the Systronix J1SE
					0.2	00 AUG 24	BAB	100 ohms in series to each 1-wire line to/from devices, but nothing in series with the pass-through. Screw terminals for 1-wire (data, ground, VCC) and the PIO lines (8 lines) Pads for a through hole iButton clip Reverse and overvoltage on Vcc in case a crossover RJ cable applies Vraw to the board Reduce DS2406s to four total with paste jumpers to isolate all I/O and bring to remote screw terminal pads Paste jumpers from each RJ 5V to the board 5V, with a board 5V pads for separate power. Allows isolation of each RJ 5V net from the other and from the board.

1

1

2

2

3

3

Systronix Proprietary Information.
This document contains financial, business, scientific, technical, economic or engineering information subject to USC § 1831-1839, Protection of Trade Secrets. Disclosure to others, use, or copying, without the express written authorization of Systronix Inc is strictly prohibited. Violation may result in criminal prosecution under 18 USC § 1831-1839 or 18 USC 1905.
Copyright ©2000, Systronix Inc.
Unpublished Work. All rights reserved.

TABLE OF CONTENTS

SHEET	TITLE
1	REVISIONS
2	NOTES
3	1-WIRE INTERFACE

TO DO:

Change to lower cost washable Panasonic switches

SYSTRONIX
555 SOUTH 300 EAST
SALT LAKE CITY, UT, USA 84111
TEL: +1-801-534-1017 FAX: -1019
WWW.SYSTRONIX.COM INFO@SYSTRONIX.COM

Title 1-WIRE NET DEV KIT - DS2406 QUAD REVISIONS

Size	Number	Rev
B		0.2

Date Fri Aug 25, 2000 Drawn by BAB

Filename 2406_quad_02.sch Sheet 1 of 3

4

A

B

C

D

A

B

C

D

2

GENERAL

- 1- BOARD SIZE: 100 X 50 MM "HALF-EUROCARD", FITS IN SYSTRONIX SNAP-TRACK PLASTIC RAIL
- 2- POWER RELAY CAN SWITCH UP TO 3 AMPS RESISTIVE LOAD AT UP TO 30VDC OR 250VAC

DS2406

- PIOA CAN SINK 50 mA @ 0.4V, WITHSTAND 13 VOLTS MAX
- PIOB CAN SINK 10 mA @ 0.4V, WITHSTAND 6.5 VOLTS MAX

POWER

- 1- VCC PASTE JUMPERS AT RJ11S ARE NORMALLY CONNECTED.
THIS TIES ALL VCCS TOGETHER - BOARD AND BOTH RJ 1-WIRES.
BOARD AND 1-WIRE VCCS CAN BE ISOLATED IF DESIRED BY UNSOLDERING THE PASTE JUMPERS.

1

1

2

2

3

3

4

4

SYSTRONIX

555 SOUTH 300 EAST
 SALT LAKE CITY, UT, USA 84111
 TEL: +1-801-534-1017 FAX: -1019
 WWW.SYSTRONIX.COM INFO@SYSTRONIX.COM

Title 1-WIRE NET DEV KIT - DS2406 QUAD
 NOTES

Size	Number	Rev
B		0.2

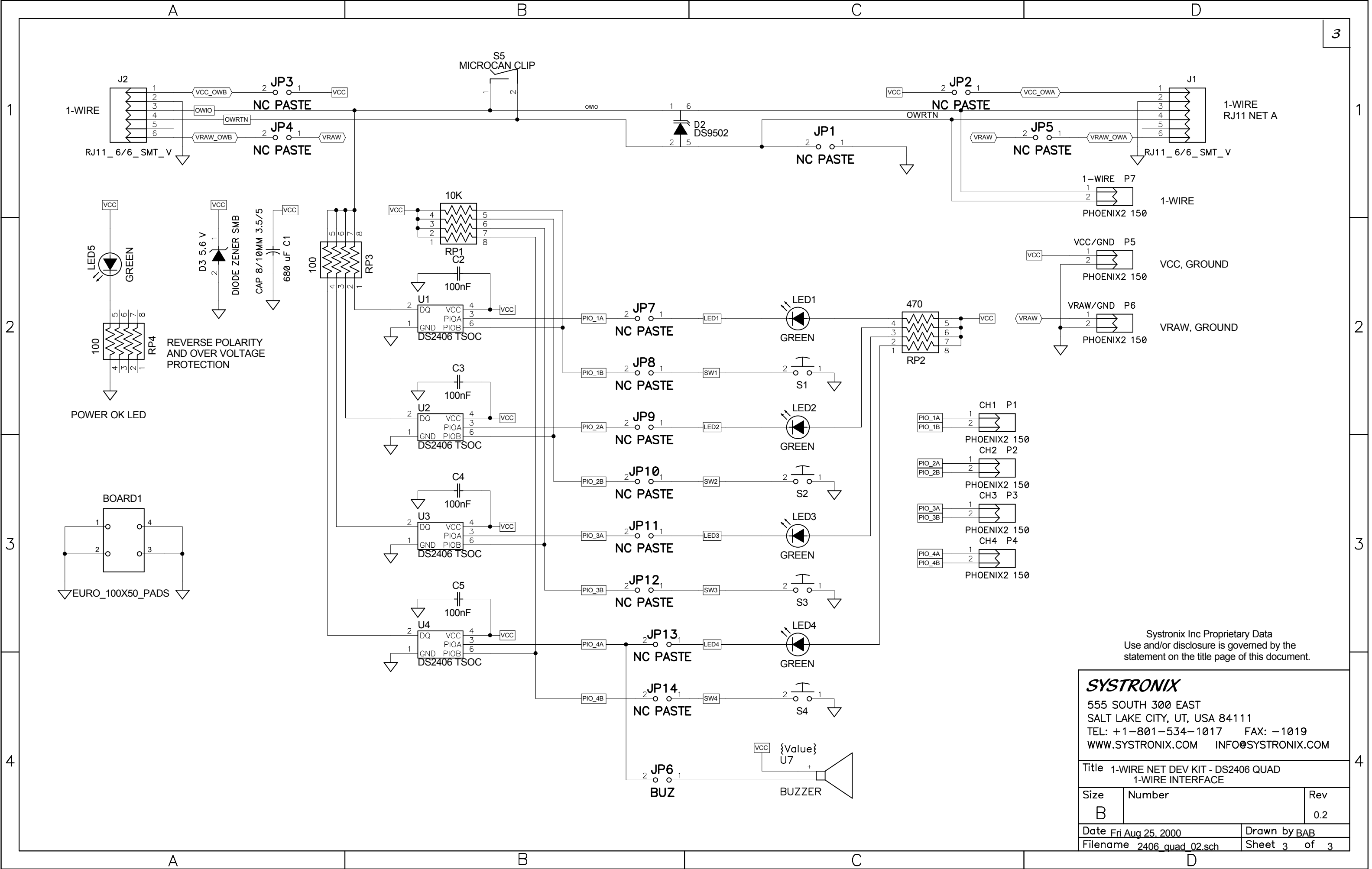
Date	Fri Aug 25, 2000	Drawn by	BAB
Filename	2406_quad_02.sch	Sheet	2 of 3

A

B

C

D



Systronix Inc Proprietary Data
 Use and/or disclosure is governed by the
 statement on the title page of this document.

SYSTRONIX		
555 SOUTH 300 EAST SALT LAKE CITY, UT, USA 84111 TEL: +1-801-534-1017 FAX: -1019 WWW.SYSTRONIX.COM INFO@SYSTRONIX.COM		
Title 1-WIRE NET DEV KIT - DS2406 QUAD 1-WIRE INTERFACE		
Size	Number	Rev
B		0.2
Date	Drawn by	
Fri Aug 25, 2000	BAB	
Filename	Sheet	
2406_quad_02.sch	3 of 3	